

aiwa

COMPACT DISC STEREO SYSTEM
SISTEMA ESTEREO CON REPRODUCTOR DE DISCOS COMPACTOS
CHAINE STEREO AVEC LECTEUR DE DISQUES COMPACTS

Z-L720

OPERATING INSTRUCTIONS
MANUAL DE INSTRUCCIONES
MODE D'EMPLOI

En (English)

E (Español)

F (Français)

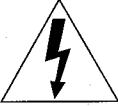
For assistance and information

call toll free 1-800-BUY-AIWA

(United States and Puerto Rico)


WARNING

TO REDUCE THE RISK OF FIRE OR ELECTRIC SHOCK, DO NOT EXPOSE THIS APPLIANCE TO RAIN OR MOISTURE.



CAUTION

RISK OF ELECTRIC SHOCK
DO NOT OPEN



“CAUTION: TO REDUCE THE RISK OF ELECTRIC SHOCK, DO NOT REMOVE COVER (OR BACK). NO USER-SERVICEABLE PARTS INSIDE. REFER SERVICING TO QUALIFIED SERVICE PERSONNEL.”

Explanation of Graphical Symbols:



The lightning flash with arrowhead symbol, within an equilateral triangle, is intended to alert the user to the presence of uninsulated “dangerous voltage” within the product’s enclosure that may be of sufficient magnitude to constitute a risk of electric shock to persons.



The exclamation point within an equilateral triangle is intended to alert the user to the presence of important operating and maintenance (servicing) instructions in the literature accompanying the appliance.

Owner's record

For your convenience, record the model number and serial number (you will find them on the rear of your unit) in the space provided below. Please refer to them when you contact your Aiwa dealer in case of difficulty.


Model No.	Serial No. (Lot No.)
CX-ZL720	
SX-WZL720	

PRECAUTIONS

Read the Operating Instructions carefully and completely before operating the unit. Be sure to keep the Operating Instructions for future reference. All warnings and cautions in the Operating Instructions and on the unit should be strictly followed, as well as the safety suggestions below.

Installation

- 1 Water and moisture** — Do not use this unit near water, such as near a bathtub, washbowl, swimming pool, or the like.
- 2 Heat** — Do not use this unit near sources of heat, including heating vents, stoves, or other appliances that generate heat. It also should not be placed in temperatures less than 5°C (41°F) or greater than 35°C (95°F).
- 3 Mounting surface** — Place the unit on a flat, even surface.

- 4 Ventilation** — The unit should be situated with adequate space around it so that proper heat ventilation is assured. Allow 10 cm (4 in.) clearance from the rear and the top of the unit, and 5 cm (2 in.) from the each side.
 - Do not place the unit on a bed, rug, or similar surface that may block the ventilation openings.
 - Do not install the unit in a bookcase, cabinet, or airtight rack where ventilation may be impeded.
- 5 Objects and liquid entry** — Take care that objects or liquid do not get inside the unit through the ventilation openings.
- 6 Carts and stands** — When placed or mounted on a stand or cart, the unit should be moved with care. Quick stops, excessive force, and uneven surfaces may cause the unit or cart to overturn or fall.
 
- 7 Condensation** — Moisture may form on the CD pickup lens when:
 - The unit is moved from a cold spot to a warm spot
 - The heating system has just been turned on
 - The unit is used in a very humid room
 - The unit is cooled by an air conditioner
 When this unit has condensation inside, it may not function normally. Should this occur, leave the unit for a few hours, then try to operate again.
- 8 Wall or ceiling mounting** — The unit should not be mounted on a wall or ceiling, unless specified in the Operating Instructions.

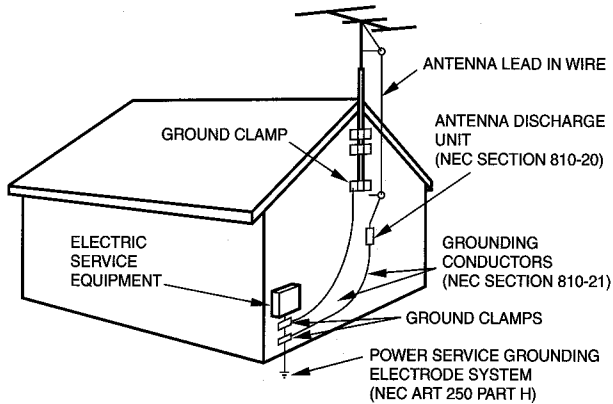
Electric Power

- 1 Power sources** — Connect this unit only to power sources specified in the Operating Instructions, and as marked on the unit.
- 2 Polarization** — As a safety feature, some units are equipped with polarized AC power plugs which can only be inserted one way into a power outlet. If it is difficult or impossible to insert the AC power plug into an outlet, turn the plug over and try again. If it is not still inserted easily into the outlet, please call a qualified service technician to service or replace the outlet. To avoid defeating the safety feature of the polarized plug, do not force it into a power outlet.
- 3 AC power cord**
 - When disconnecting the AC power cord, pull it out by the AC power plug. Do not pull the cord itself.
 - Never handle the AC power plug with wet hands, as this could result in fire or shock.
 - Power cords should be firmly secured to avoid being severely bent, pinched, or walked upon. Pay particular attention to the cord from the unit to the power outlet.
 - Avoid overloading AC power plugs and extension cords beyond their capacity, as this could result in fire or shock.
- 4 Extension cord** — To help prevent electric shock, do not use a polarized AC power plug with an extension cord, receptacle, or other outlet unless the polarized plug can be completely inserted to prevent exposure of the blades of the plug.
- 5 When not in use** — Unplug the AC power cord from the power outlet if the unit will not be used for several months or more. When the cord is plugged in, a small amount of current continues to flow to the unit, even when the power is turned off.

Outdoor Antenna

- 1 Power lines** — When connecting an outdoor antenna, make sure it is located away from power lines.
- 2 Outdoor antenna grounding** — Be sure the antenna system is properly grounded to provide protection against unexpected voltage surges or static electricity build-up. Article 810 of the National Electrical Code, ANSI/NFPA 70, provides information on proper grounding of the mast, supporting structure, and the lead-in wire to the antenna discharge unit, as well as the size of the grounding unit, connection to grounding terminals, and requirements for grounding terminals themselves.

Antenna Grounding According to the National Electrical Code



NEC-NATIONAL ELECTRICAL CODE

Maintenance

Clean the unit only as recommended in the Operating Instructions.

Damage Requiring Service

Have the units serviced by a qualified service technician if:

- The AC power cord or plug has been damaged
- Foreign objects or liquid have got inside the unit
- The unit has been exposed to rain or water
- The unit does not seem to operate normally
- The unit exhibits a marked change in performance
- The unit has been dropped, or the cabinet has been damaged

DO NOT ATTEMPT TO SERVICE THE UNIT YOURSELF.

TABLE OF CONTENTS

PREPARATIONS

CONNECTIONS	4
REMOTE CONTROL	5
BEFORE OPERATION	5

SOUND

AUDIO ADJUSTMENTS	7
GRAPHIC EQUALIZER	7

RADIO RECEPTION

MANUAL TUNING	8
PRESETTING STATIONS	9

TAPE PLAYBACK

BASIC OPERATIONS	9
------------------------	---

CD PLAYING

BASIC OPERATIONS	10
PROGRAMMED PLAY	11

RECORDING

BASIC RECORDING	11
DUBBING	12
DUBBING THE WHOLE TAPE	12
AI EDIT RECORDING	13
PROGRAMMED EDIT RECORDING	14

KARAOKE

MICROPHONE MIXING	15
-------------------------	----

CLOCK AND TIMER

SETTING THE CLOCK	16
SETTING THE SLEEP TIMER	16
SETTING THE TIMER	17

OTHER CONNECTIONS

CONNECTING OPTIONAL EQUIPMENT	18
LISTENING TO EXTERNAL SOURCES	18

GENERAL

CARE AND MAINTENANCE	19
TROUBLESHOOTING GUIDE	19
SPECIFICATIONS	20

PARTS INDEX	Back cover
-------------------	------------

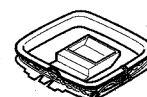
Check your system and accessories

CX-ZL720 Compact disc stereo cassette receiver
SX-WZL720 Front speakers

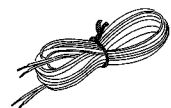
Remote Control



AM antenna



FM antenna



Operating Instructions, etc.

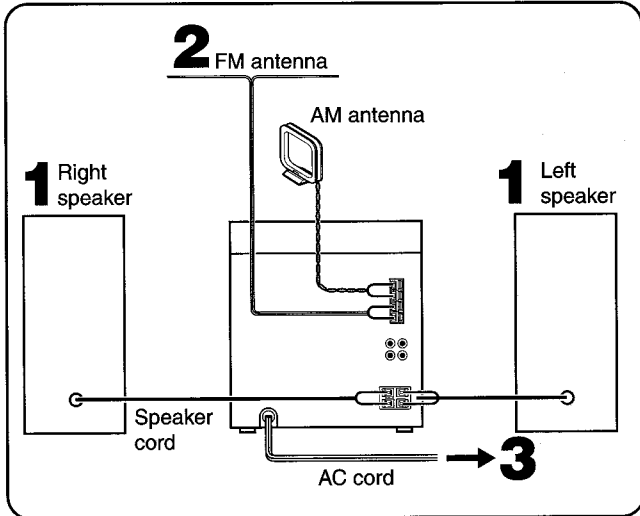
En

CONNECTIONS

IMPORTANT

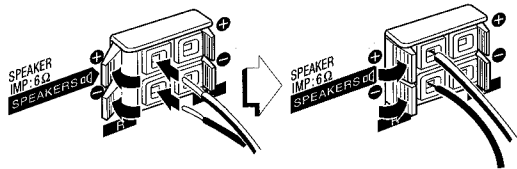
Connect the speakers, antennas and all optional equipment first. Then connect the AC cord.

There are no difference between the front speakers. Both speakers can be connected as L (left) or R (right).



1 Connect the right and left speakers to the main unit.

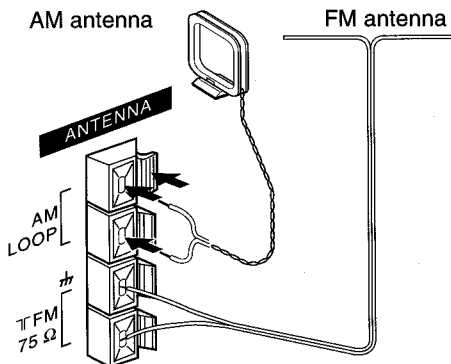
Connect the right speaker cord to **SPEAKERS R** terminals, and left to **SPEAKERS L** terminals.



The speaker cord with the white stripe should be connected to **+** terminal and the black cord to **-** terminal.

2 Connect the supplied antennas.

Connect the FM antenna to **FM 75 Ω** terminals and the AM antenna to **AM LOOP** terminals.



3 Connect the AC cord to an AC outlet.

- The Demo will begin when the AC cord is plugged into an AC outlet. See page 6 "DEMO" for details.

To position the antennas

FM antenna:

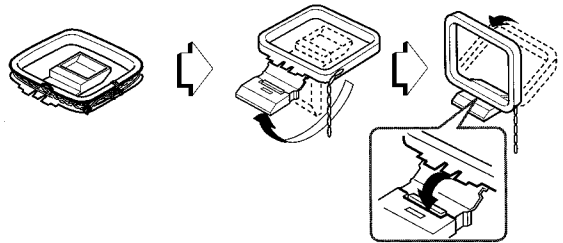
Extend the antenna horizontally in a T-shape and fix its ends to the wall.

AM antenna:

Position to find the best reception.

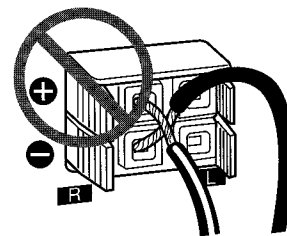
To stand the AM antenna on a surface

Fix the claw to the slot.



NOTE

- Be sure to connect the speaker cords correctly. Improper connections can cause short circuits in **SPEAKERS** terminals.

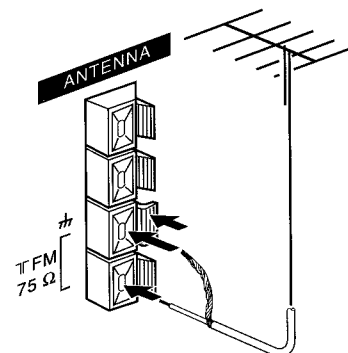


- Do not leave objects generating magnetism, such as credit cards, near the speakers, as the objects may be damaged.
- Do not bring the FM antenna near metal objects or curtain rails.
- Do not bring the AM antenna near other optional equipment, the stereo system itself, the AC cord or speaker cords, since noise will be picked up.
- Do not unwind the AM antenna wire.

CONNECTING AN OUTDOOR ANTENNA

For better FM reception, use of an outdoor antenna is recommended.

Connect the outdoor antenna to **FM 75 Ω** terminals.

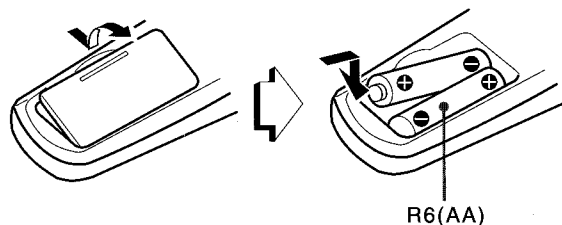


To connect other optional equipment → page 18.

REMOTE CONTROL

Inserting batteries

Detach the battery cover on the rear of the remote control and insert two R6 (size AA) batteries.



When to replace the batteries

The maximum operational distance between the remote control and the sensor on the main unit should be approximately 5 meters (16 feet). When this distance decreases, replace the batteries with new ones.

To use SHIFT on the remote control

Buttons ① have two different functions. One of these functions is indicated on the button, and the other on the plate above the button.

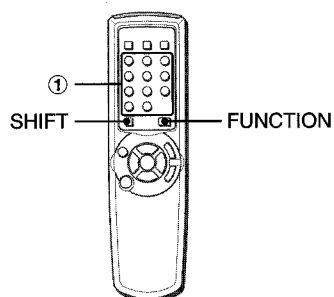
To use the function on the button, simply press the button.

To use the function on the plate above the button, press the button while pressing **SHIFT**.

To use FUNCTION on the remote control

FUNCTION substitutes for the function buttons (**TAPE/DECK 1/2, TUNER/BAND, PHONO, VIDEO/AUX, CD**) on the main unit.

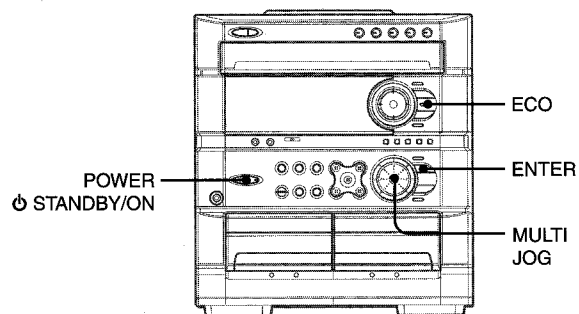
Each time **FUNCTION** is pressed, the next function is selected cyclically.



NOTE

- If the remote control is not going to be used for an extended period of time, remove the batteries to prevent possible electrolyte leakage.
- The remote control may not operate correctly when:
 - The line of sight between the remote control and the remote sensor inside the display window is exposed to intense light, such as direct sunlight.
 - Other remote controls are used nearby (those of a television, etc.).

BEFORE OPERATION



To turn the power on

Press one of the function buttons (**TAPE/DECK 1/2, TUNER/BAND, VIDEO/AUX, PHONO** or **CD**).

Playback of the inserted disc or tape begins, or the previously tuned station is received (Direct Play Function).

POWER is also available.

When the unit is turned on, the disc compartment may open and close to reset the unit.

To turn the power off

Press **POWER** ϕ **STANDBY/ON**.

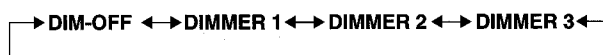
Illumination guides

Whenever **POWER** or one of the function buttons is pressed, the buttons for the selected operation light up or flash.

Example: When **CLOCK** is pressed, **|| SET**, **◀◀** and **▶▶** light up as a guide to setting the current time.

To change the brightness level of the display

- 1 Press **ECO** twice so that "DIM MODE" is displayed.
- 2 Within 4 seconds, press **ENTER**.
- 3 Within 4 seconds, turn **MULTI JOG** to select the dimmer mode as below.

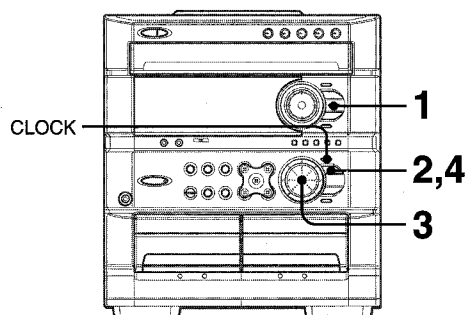


"DIM OFF" mode is the brightest and "DIMMER 3" mode is the dimmest.

In "DIMMER 3" mode, the spectrum analyzer and the button illumination light off in addition.

- 4 Within 4 seconds, press **ENTER** to set the selected mode.

SETTING POWER ECONOMIZING MODE



When you set power economizing mode to "ECO ON" or "ECO AUTO", the unit reduces power consumption by conducting four ECO operations as follows.

- The unit (all the illumination of the display and the buttons) blacks out when the power is turned off. Only the red indicator lights up.
If the clock is not set, the unit does not black out. Instead, the DEMO will begin when the power is turned off.
- The illumination of the display brighten for 10 seconds only when you press a button, or turn **VOLUME** or **MULTI JOG**.
If the display dimmer mode is set to "DIM-OFF", the brightness of the illumination does not change.
- The display dimmer mode is set to the dimmest, the button illumination lights off, and the volume is set to the minimum (0) when the unit turns on by timer recording.
- The unit automatically turns itself off if you do not use it for 10 minutes. (only when "ECO AUTO" is selected)
The unit does not turn itself off if there is audio input signal through **VIDEO/AUX** or **PHONO IN** jacks when the function is VIDEO/AUX or PHONO.

1 Press ECO once.

"ECO MODE" will be displayed.

2 Press ENTER within 4 seconds.

The current power-economizing mode status will be displayed.
If the power-economizing mode is off: ECO OFF
If the power-economizing mode is on: ECO AUTO or ECO ON

3 Turn MULTI JOG within 4 seconds to switch the power-economizing mode.

Example: When "ON" is selected



4 Press ENTER within 4 seconds to set the mode.

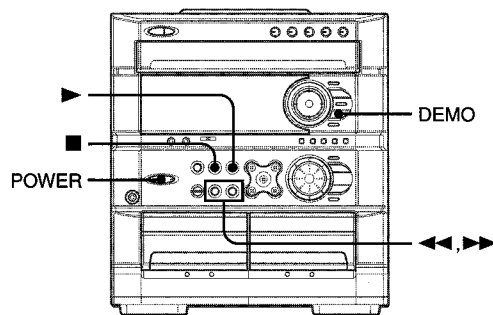
Standby power consumption

If the power-economizing mode is OFF: 35 W
If the power-economizing mode is ON/AUTO: 0.9 W

NOTE

To view the clock when all the display lights turn off, press **CLOCK** so that the time is displayed for 4 seconds.

DEMO (DEMONSTRATION)



When the AC cord is plugged into an AC outlet for the first time after purchase, the DEMO will begin in the display. When the power is turned on, the DEMO will end.
Until the clock is set, the DEMO will automatically begin whenever the power is turned off.

You can enjoy two kinds of DEMO modes on this unit. One is demo, the other one is game demo.

In the demo mode, colorful illumination demonstrates on the display.

In the game demo mode, you can play a game.

See below about how to play the game.

To switch the two modes to each other, when the unit is in off mode, press **POWER** while pressing **DEMO**.

To deactivate or activate DEMO

Press **DEMO** to turn on or off the DEMO mode.

To play the game Demo

1 Press ►.

Three numbers on the display start to run.

2 Press ■ once.

The number on the left side stops.

3 Press ■ twice to stop the remaining two numbers.

Scoring:

20 points are given to start the game.

If all the numbers are equal, 50 points are added to the score.

If not equal, one point is subtracted.

If the gained points reach 9999, you win.

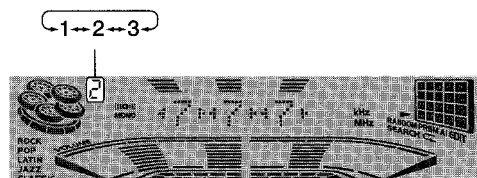
If the gained points fall to 0, you lose.

To reset the game DEMO, press **DEMO** twice. The game starts again.

To cancel the game DEMO, press **DEMO**.

To change the probability of equalizing the three numbers

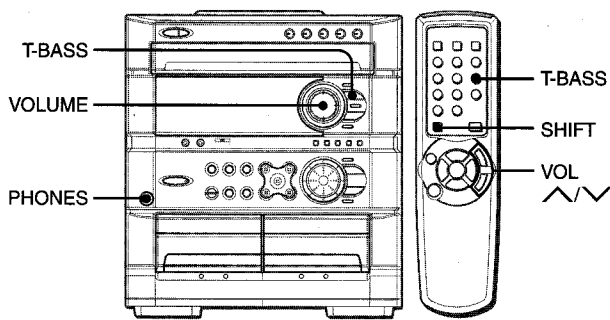
Press ◀◀ or ▶▶ repeatedly to select one of the three probability levels when playing the game Demo. The tray number indicator in the display changes between 1 and 3. As the tray number increases from 1 to 3, the higher the probability of equalizing.



NOTE

- During the game Demo, ►, ◀◀, ▶▶ and ■ are available only for the game Demo. Cancel the game Demo to use these buttons for the functions such as CD playing, etc.
- During the game Demo, some indicators unrelated with the actual operation light up on the display.
- During recording, DEMO is not operative.

AUDIO ADJUSTMENTS



VOLUME CONTROL

Turn **VOLUME** on the main unit, or press **VOL** \wedge or \vee on the remote control.

The volume level is displayed as a number from 0 to MAX (31). The volume level is automatically set to 16 when the power is turned off with the volume level set to 17 or more.

SUPER T-BASS SYSTEM

The T-BASS system enhances the realism of low-frequency sound.

Press T-BASS.

Each time it is pressed, the level changes. Select one of the three levels, or the off position to suit your preference.

To select with the remote control

Press **T-BASS** while pressing **SHIFT**.

NOTE

Low-frequency sound may be distorted when the T-BASS system is used for a disc or tape in which low-frequency sound is already emphasized. In this case, cancel the T-BASS system.

Using the headphones

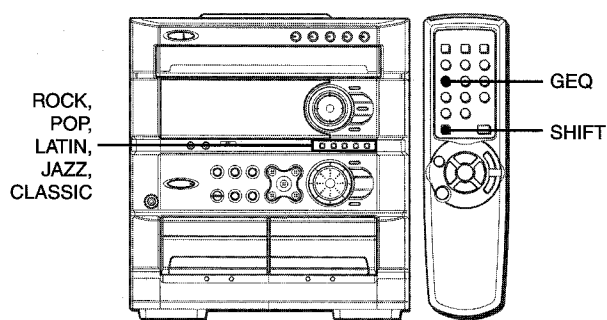
Connect headphones to **PHONES** jack with a stereo standard plug ($\phi 6.3$ mm, $1/4$ inch).

No sound is output from the speakers while the headphones are plugged in.

Sound adjustment during recording

The output volume and tone of the speakers or headphones can be freely varied without affecting the recording.

GRAPHIC EQUALIZER



This unit provides the following 5 different equalization curves.

ROCK: Powerful sound emphasizing treble and bass

POP: More presence in the vocals and midrange

LATIN: Accented higher frequencies for latin-type music.

JAZZ: Suppressed vocals range appropriate for listening to rhythmical sources

CLASSIC: Enriched sound with heavy bass and fine treble.

Press one of the graphic equalizer preset buttons.

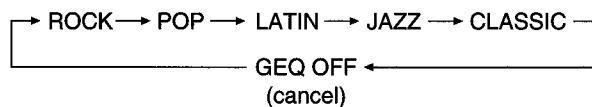
The selected mode indicator lights up and that equalization mode appears for 4 seconds on the display.

To cancel the selected mode

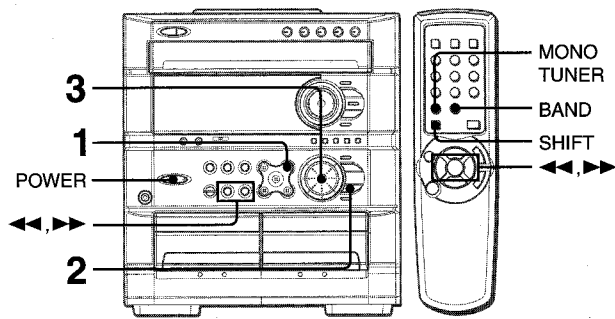
Press the selected equalizer preset button. "GEQ OFF" is displayed and the equalization curve becomes flat.

To select with the remote control

Press **GEQ** repeatedly while pressing **SHIFT** until the desired program mode is displayed.



MANUAL TUNING



1 Press TUNER/BAND to select the FM or AM band.

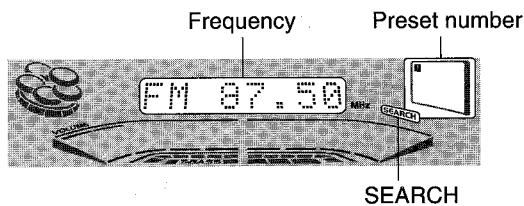
When **TUNER/BAND** is pressed while the power is off, the power is turned on directly (Direct Play Function).

To select a band with the remote control
Press **BAND** while pressing **SHIFT**.

2 Press TUNER PRESET repeatedly to select the manual tuning mode.

Each time the button is pressed, the following three tuning modes are selected cyclically.

- ① **Preset tuning mode:** The preset number flashes.
- ② **Auto search mode:** "SEARCH" is displayed.
- ③ **Manual tuning mode:** "SEARCH" is not displayed and the preset number does not flash.



NOTE

The preset tuning mode is skipped if no station is preset.

3 Turn MULTI JOG clockwise or counter-clockwise to tune in to a station.

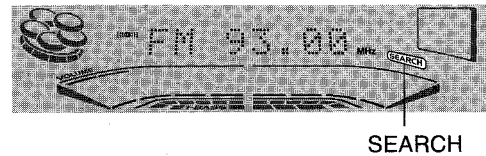
The frequency changes as you turn **MULTI JOG**. When a station is received, "TUNE" is displayed for 2 seconds.

During FM stereo reception, ((Ⓜ)) is displayed.

- **◀DOWN** and **▶UP** are also available to tune in to a station.

To search for a station quickly (Auto Search)

Press **TUNER PRESET** repeatedly to display "SEARCH" (auto search mode), and turn **MULTI JOG** clockwise or counter-clockwise until the frequency starts to change rapidly. After tuning in to a station, the search stops.



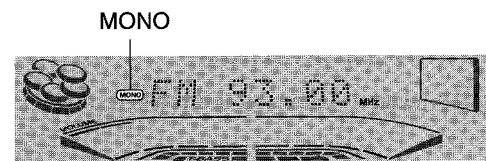
To stop the Auto Search manually, turn **MULTI JOG** a little in either direction.

- The Auto Search may not stop at stations with very weak signals.
- **◀DOWN** and **▶UP** are also available to search for a station. Keep **◀DOWN** or **▶UP** pressed until the tuner starts searching. Press the button to stop the search manually.

When an FM stereo broadcast contains noise

Press **MONOTUNER** on the remote control while pressing **SHIFT** so that "MONO" appears on the display.

Noise is reduced, although reception is monaural.



To restore stereo reception, press **MONO TUNER** on the remote control while pressing **SHIFT** so that "MONO" disappears and "STEREO" is displayed for 2 seconds.

To change the AM tuning interval

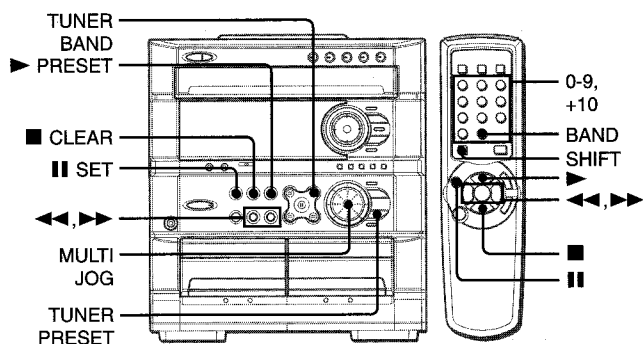
The default setting of the AM tuning interval is 10 kHz/step. If you use this unit in an area where the frequency allocation system is 9 kHz/step, change the tuning interval.

Press **POWER** while pressing **TUNER/BAND** on the unit. To reset the interval, repeat this procedure.

NOTE

When the AM tuning interval is changed, all preset stations are cleared. The preset stations have to be set again.

PRESETTING STATIONS

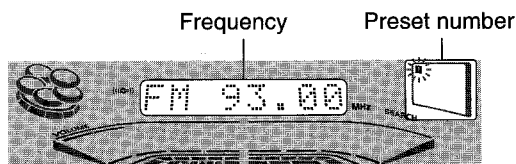


The unit can store a total of 32 preset stations for all bands. When a station is stored, a preset number is assigned to the station. Use the preset number to tune in to a preset station directly.

1 Press TUNER/BAND to select a band, and tune in to a station with ◀◀DOWN or ▶▶UP.

2 Press ■SET to store the station.

A preset number beginning from 1 in consecutive order for each band is assigned to a preset station.



3 Repeat steps 1 and 2.

No more stations will be stored if a total of 32 preset stations for all the bands have already been stored.

NOTE

"FULL" is displayed if you attempt to store more than 32 preset stations.

PRESET NUMBER TUNING

Use the remote control to select the preset number directly.

1 Press BAND while pressing SHIFT to select a band.

2 Press numbered buttons 0-9 and +10 to select a preset number.

Example:

To select preset number 20, press +10, +10 and 0.

To select preset number 15, press +10 and 5.

Selecting a preset number on the main unit

Press TUNER/BAND to select a band. Press TUNER PRESET repeatedly until the preset number flashes (preset tuning mode), and turn MULTI JOG. The preset numbers are selected in sequence as you turn MULTI JOG.

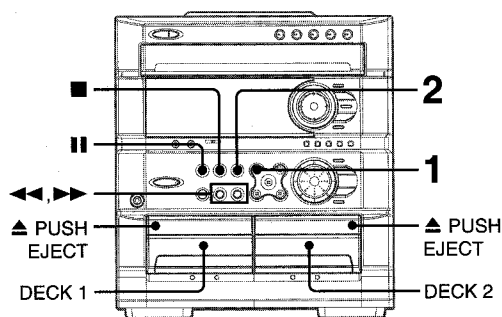
• ▶PRESET is also available to select the preset number. Each time the button is pressed, the next highest number is selected.

To clear a preset station

Select the preset number of the station to be cleared with the numbered buttons. Then, press ■CLEAR, and press ■SET within 4 seconds.

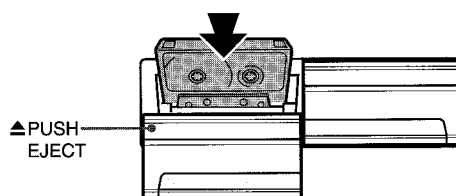
The preset numbers of all other stations in the band with higher numbers are decreased by one.

BASIC OPERATIONS



This unit is designed for optimal playback of Type I (normal) tapes.

1 Press TAPE/DECK 1/2, then press ▲PUSH EJECT to open the cassette holder.

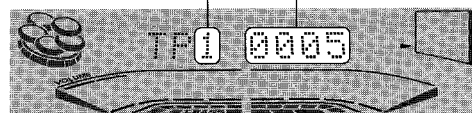


Insert a tape with the exposed side down. Push the cassette holder to close.

2 Press ▶ to start play.

Only the side facing out from the unit can be played back.

The tape counter indicates the tape running length.



To select a playing deck

When tapes are loaded in both decks, press TAPE/DECK 1/2 first to select a deck.

The selected deck number is displayed.

To stop play, press ■.

To pause play (Deck 2 only), press ■■. To resume play, press again.

To fast forward or rewind, press ◀◀ or ▶▶.

Then press ■ to stop the tape.

To start play when the power is off (Direct Play Function)

Press TAPE/DECK 1/2. The power is turned on and play of the inserted tape begins.

To set the tape counter to "0000".

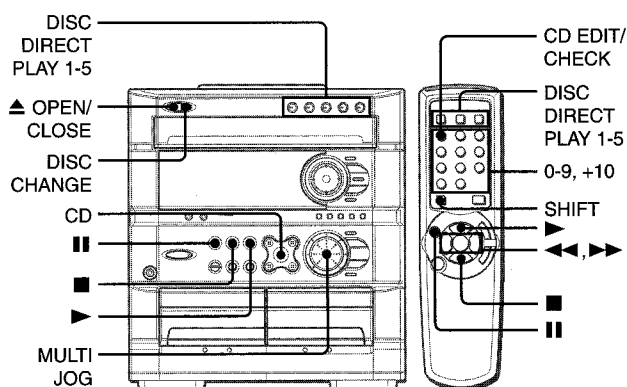
Press ■ CLEAR in stop mode.

The counter is also set to "0000" when the cassette holder is opened.

When tapes are loaded in both decks

After playback on deck 1 finishes, the tape in the deck 2 will start to play without interruption and will stop at the end of the tape. (Continuous play)

BASIC OPERATIONS



LOADING DISCS

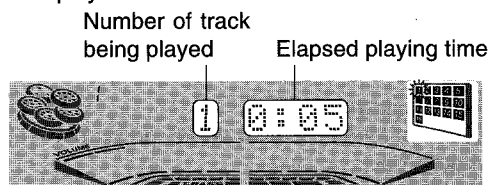
Press **CD**, then press **▲ OPEN/CLOSE** to open the disc compartment. Load disc(s) with the label side up.

To load one or two discs, place the disc(s) on tray 1 and 2.
To load three to five discs, press **DISC CHANGE** to rotate the trays after placing two discs. Place the next disc on empty tray. Each time **DISC CHANGE** is pressed, the trays rotate and one disc can be placed. Close the disc compartment by pressing **▲ OPEN/CLOSE**.

PLAYING DISCS

Load discs.

To play all discs in the disc compartment, press **►**. All discs are played once.



To play one disc only, press **DISC DIRECT PLAY 1-5**. The selected disc is played once.

To stop play, press **■**.

To pause play, press **II**. To resume play, press again.

To search for a particular point during playback, keep **◀◀** or **▶▶** pressed and release the button at the desired point.

To skip to the beginning of a track during playback, turn **MULTI JOG** or press **◀◀** or **▶▶** repeatedly.

To remove discs, press **▲ OPEN/CLOSE**.

You can only remove the two discs that face you. When the disc(s) to be removed does(do) not face you, press **DISC CHANGE** repeatedly.

To start play when the power is off (Direct Play Function)
 Press **CD**. The power turns on and play of the loaded disc(s) begins.

When **▲ OPEN/CLOSE** is pressed, the power is also turned on and the disc compartment is opened.

To check the remaining time

During play (except random play or programmed play), press **CD EDIT/CHECK** on the remote control while pressing **SHIFT**. The amount of time remaining until all tracks finish playing is displayed. To restore the playing time display, repeat the above.

Selecting a track with the remote control

- Press one of **DISC DIRECT PLAY 1-5** to select a disc. To select disc 4 or 5, press **DISC DIRECT PLAY 4** or **5** while pressing **SHIFT**.
- Press numbered buttons **0-9** and **+10** to select a track.
Example:
 To select the 25th track, press **+10**, **+10** and **5**.
 To select the 10th track, press **+10** and **0**.
 The selected track starts to play and continues to the end of that disc.

Replacing discs during play

While one disc is playing, the other discs can be replaced without interrupting play.

- Press **DISC CHANGE**. Two discs can be replaced.
- Remove the discs and replace with other discs. To replace the other two discs, press **DISC CHANGE** again.
- Press **▲ OPEN/CLOSE** to close the disc compartment.

NOTE

- When loading an 8-cm (3-inch) disc, make sure to place it onto the inner circle of the tray precisely.
- Do not place more than one compact disc on one disc tray.
- Do not tilt the unit with discs loaded. Doing so may cause malfunctions.
- When transporting the unit, remove the discs from the trays.
- Do not use irregular shape CDs (example: heart-shaped, octagonal ones). It may result in malfunctions.
- The unit may not play a CD-R/RW disc that is recorded on personal computers or some kinds of CD-R/RW recorders because of differences in recording platforms.
- Do not attach any seal or label to either side (the recordable side or the labeled side) of a CD-R/RW disc. It may cause malfunction.
- When replacing the discs during play, do not replace discs other than those facing you.
 If you place a disc on the empty right inner tray, and then press **▲ OPEN/CLOSE**, "ERROR" is displayed and the disc compartment may not close. Remove the disc on that tray.

RANDOM/REPEAT PLAY

Use the remote control.

RANDOM PLAY

All the tracks on the selected disc or all the discs can be played randomly.

REPEAT PLAY

A single disc or all the discs can be played repeatedly.

Press RANDOM/REPEAT while pressing SHIFT.

Each time it is pressed, the function can be selected cyclically.

RANDOM play — **RANDOM** lights up on the display.

REPEAT play — **↶** lights up on the display.

RANDOM/REPEAT play — **RANDOM** and **↶** light up on the display.

Cancel — **RANDOM** and **↶** disappear from the display.

To play all discs, press **►** to start play.

To play a single disc, press one of **DISC DIRECT PLAY 1-5** to start play.

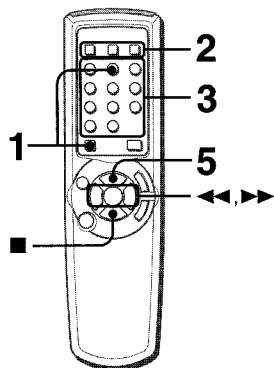
To select disc 4 or 5, press **DISC DIRECT PLAY 4** or **5** while pressing **SHIFT**.

NOTE

During random play it is not possible to skip to the previously played track with **◀◀**.

PROGRAMMED PLAY

Up to 30 tracks can be programmed from any of the inserted discs.



Use the remote control.

1 Press PRGM while pressing SHIFT in stop mode.
“-” and “PRGM” appear on the display.

2 Press one of DISC DIRECT PLAY 1-5 to select a disc.

To select disc 4 or 5, press **DISC DIRECT PLAY 4** or **5** while pressing **SHIFT**.

Go to the next step when the tray stops rotating.

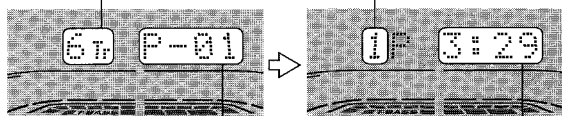
3 Press numbered buttons 0-9 and +10 to program a track.

Example:

To select the 25th track, press **+10, +10** and **5**.

To select the 10th track, press **+10** and **0**.

Selected track number Total number of selected tracks



Program number

Total playing time of the selected tracks

4 Repeat steps 2 and 3 to program other tracks.

5 Press ► to start play.

To check the program

Each time ◀◀ or ▶▶ is pressed in stop mode, a disc number, track number, and program number will be displayed.

To clear the program

Press ■ **CLEAR** in stop mode.

To add tracks to the program

Repeat steps 2 and 3 in stop mode. The track will be programmed after the last track.

To change the programmed tracks

Clear the program and repeat all the steps again.

To play the programmed tracks repeatedly

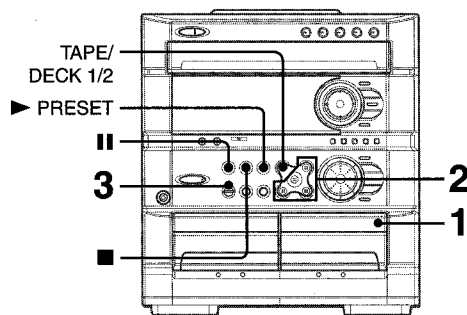
After programming the tracks, press **RANDOM/REPEAT** repeatedly while pressing **SHIFT** until ◀ appears on the display.

NOTE

- During programmed play, you can not perform DISC CHANGE, random play, check the remaining time or select a track. “Can’t USE” is displayed if you attempt to select a track.
- “FULL” is displayed if you attempt to program more than 30 tracks.

BASIC RECORDING

This section explains how to record from the tuner, CD player, or external equipment.

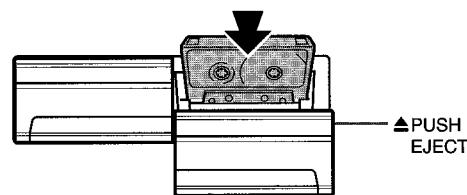


Preparation

- Use Type I (normal) tapes only.
- Set the tape to the point where recording will start.
- Note that recording is done on only one side of the tape.

1 Insert the tape to be recorded on into Deck 2.

Insert the tape with the side to be recorded on first facing out from the unit.



2 Press one of the function buttons and prepare the source to be recorded.

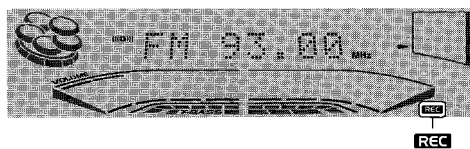
To record from a CD, press **CD** and load the disc(s).

To record from a radio broadcast, press **TUNER/BAND** and tune in to a station.

To record from the connected source, press **VIDEO/AUX** or **PHONO** and play.

3 Press ● REC/REC MUTE to start recording.

When recording from a connected source, start playback of the source.



When the selected function is CD, playback and recording start simultaneously.

To stop recording, press ■.

To pause recording, press II. (Applicable when the recording source is TUNER, VIDEO/AUX or PHONO.)

To resume recording, press it again.

Sound adjustment during recording

The output volume and tone of the speakers or headphones are freely varied without affecting the recording.

NOTE

- “Can’t REC” is displayed if you attempt to record on a tape with the plastic tabs broken off.
- When recording on tape, close the disc compartment before starting to record.

INSERTING BLANK SPACES

4-second blank spaces can be inserted at the desired point during recording. (Applicable when the source is TUNER or VIDEO/AUX/PHONO.)

1 Press ●REC/REC MUTE during recording or while in recording pause mode.

REC on the display flashes for 4 seconds and a 4-second blank space is made. Then, the deck enters the recording pause mode.

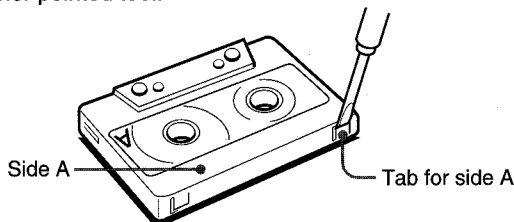
2 Press **||** to resume recording.

To insert a blank space of less than 4 seconds, press ●REC/REC MUTE again while **REC** is flashing.

To insert blank spaces of more than 4 seconds, after the deck enters recording pause mode, press ●REC/REC MUTE again. Each time the button is pressed, a 4-second blank space is added.

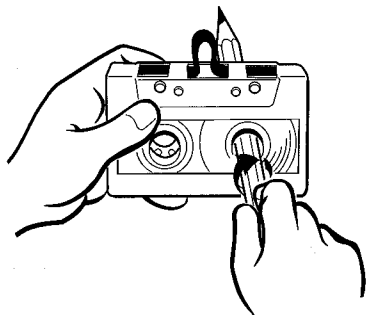
About cassette tapes

- To prevent accidental erasure, break off the plastic tabs on the cassette tape after recording with a screwdriver or other pointed tool.



To record on the tape again, cover the tab openings with adhesive tape, etc.

- 120-minute or longer tapes are extremely thin and easily deformed or damaged. They are not recommended.
- Take up any slack in the tape with a pencil or similar tool before use. Slack tape may break or jam in the mechanism.

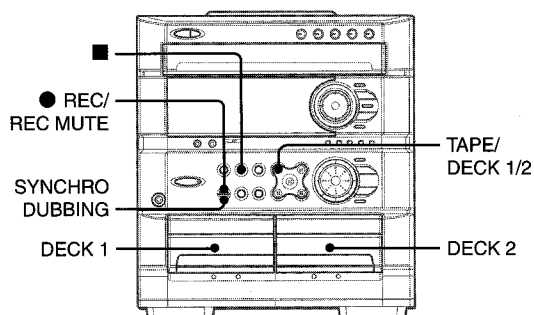


To erase a recording

A previous recording is erased when a new recording is made on that part of that tape.

- 1 Insert the tape to be erased into Deck 2 and press **TAPE/DECK 1/2** to display "TP2".
- 2 Wind up the tape to the point where the erasure is to be started.
- 3 Press ●REC/REC MUTE to start the erasure.

DUBBING



Preparation

- Set the tape to the point where recording will start.
- Note that recording will be done on one side of the tape only.

1 Press TAPE/DECK 1/2.

2 Insert the original tape into Deck 1 and the tape to be recorded on into Deck 2.

Insert the tapes with the sides to be played back or recorded on first facing out from the unit.

3 Press TAPE/DECK 1/2 to select Deck 1.

"TP1" is displayed.

4 Press ●REC/REC MUTE to start recording.

Playing and recording start simultaneously.



To stop dubbing

Press **■**.

DUBBING THE WHOLE TAPE

This function allows you to make exact copies of both sides of the original tape.

NOTE

- Dubbing does not start from a point halfway in the tape.
- Note that recording will be done on one side of the tape only.

1 Press TAPE/DECK 1/2.

2 Insert the original tape into Deck 1 and the tape to be recorded on into Deck 2.

Insert each tape with the side to be played back or recorded on first facing out from the unit.

3 Press SYNCHRO DUBBING to start recording.

"DUBBING" appears on the display.

The tapes are rewound to the beginning of the front sides, and recording starts.

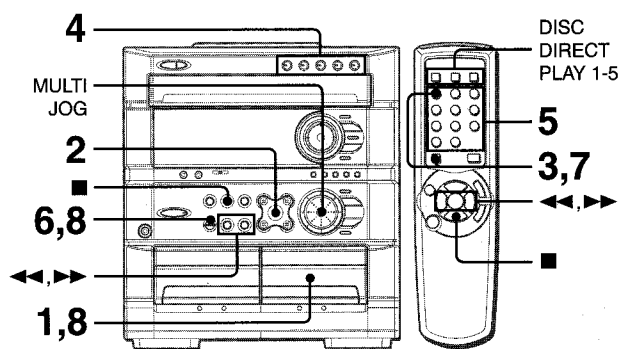
To stop dubbing

Press **■**.

NOTE

Recording does not start if the erasure prevention tab for the side of the tape facing out from the unit is broken off.

AI EDIT RECORDING



The AI edit recording function enables CD recording without worrying about tape length and track length. When a CD is inserted, the unit automatically calculates the total track lengths. If necessary, the order of tracks is rearranged so that no track is cut short.

(AI: Artificial Intelligence)

NOTE

The AI edit recording will not start from a point halfway into the tape. The tape must be recorded from the beginning of either side.

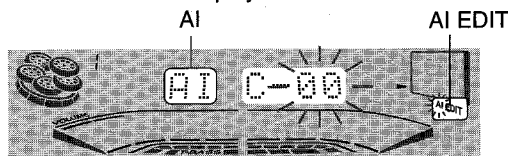
1 Insert the tape into Deck 2.

Insert the tape with the side to be recorded on first facing out from the unit.

2 Press CD and load the disc(s).

3 Press CD EDIT/CHECK once while pressing SHIFT on the remote control.

"AI" and "AI EDIT" are displayed.



If "PRGM" is displayed, press CD EDIT/CHECK while pressing SHIFT again.

4 Press one of DISC DIRECT PLAY 1-5 to select a disc.

To select disc 4 or 5, press DISC DIRECT PLAY 4 or 5 while pressing SHIFT.

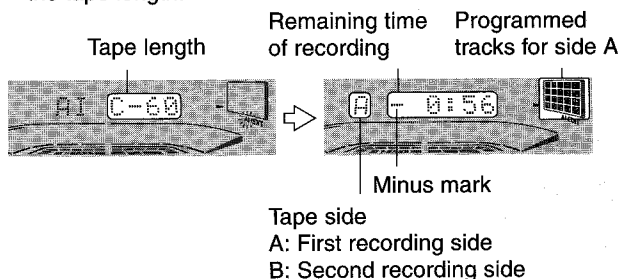
5 Press numbered buttons 0-9 on the remote control to designate the tape length.

10 to 99 minutes can be specified.

Example: When using a 60-minute tape, press 6 and 0.

In a few seconds, the tracks to be recorded on each side of the tape are determined.

• ◀▶ and MULTI JOG are also available to designate the tape length.



6 Press ●REC/REC MUTE to start recording on the first side.

The tape is rewound to the beginning of the front side, the lead segment is played through for 10 seconds, and recording starts. When the last track programmed for side A is finished, deck 2 enters the recording stop mode. After entering the recording stop mode, go to step 7.

7 Press CD EDIT/CHECK while pressing SHIFT on the remote control to display the program for the second recording.

"B" is displayed.

8 Turn over the tape in Deck 2 and press ●REC/REC MUTE to start recording on the second side.

To stop recording

Press ■.

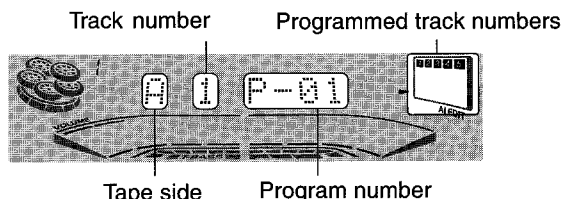
Recording and CD play stop simultaneously.

To clear the edit program

Press ■ CLEAR twice in stop mode so that "EDIT" disappears on the display.

To check the order of the programmed track numbers

Before recording, press CD EDIT/CHECK while pressing SHIFT on the remote control to select side A or B, and press ◀▶ or ▶▶ repeatedly or turn MULTI JOG.



To add tracks from other discs to the edit program

If there is any time remaining on the tape after step 5, you can add tracks from other discs in the CD compartment.

1 Press CD EDIT/CHECK while pressing SHIFT on the remote control to select side A or B.

2 Press one of DISC DIRECT PLAY 1-5 to select a disc.

To select disc 4 or 5, press DISC DIRECT PLAY 4 or 5 while pressing SHIFT.

3 Press numbered buttons 0-9 and +10 on the remote control to select tracks.

A track whose playing time is longer than the remaining time cannot be programmed.

4 Repeat steps 2 and 3 to add more tracks.

Time on cassette tapes and editing time

The actual cassette recording time is usually a little longer than the specified recording time printed on the label. This unit can program tracks to use the extra time. When the total recording time is a little longer than the tape's specified recording time after editing, the display shows the extra time (without a minus mark), instead of the time remaining on the tape (with the minus mark).

NOTE

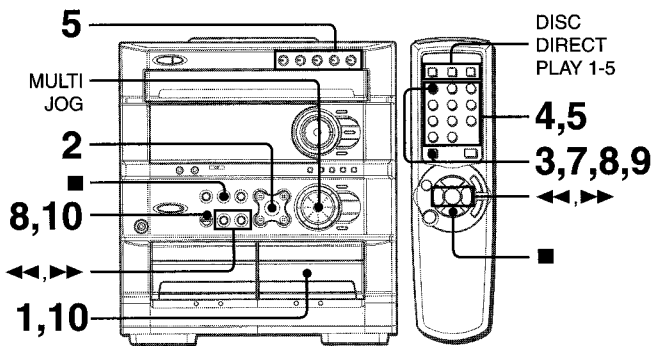
• The AI edit recording function cannot be used with discs containing 31 tracks or more. "TR OVER" is displayed if this is attempted.

• Recording is inhibited if the erasure prevention tab on either side of the tape facing out from the unit is broken off.

RECORDING

En

PROGRAMMED EDIT RECORDING



In the programmed edit recording function, the tracks can be programmed while checking the remaining time on each side of the tape as the tracks are programmed.

NOTE

The programmed edit recording will not start from a point halfway in the tape. The tape must be recorded on from the beginning of either side.

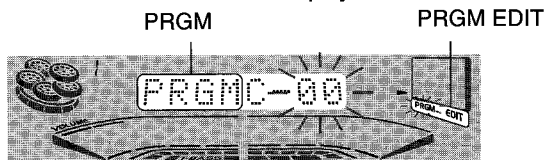
1 Insert the tape into Deck 2.

Insert the tape with the side to be recorded on first facing out from the unit.

2 Press CD and load the disc(s).

3 Press CD EDIT/CHECK twice while pressing SHIFT on the remote control.

"PRGM EDIT" and "PRGM" are displayed.

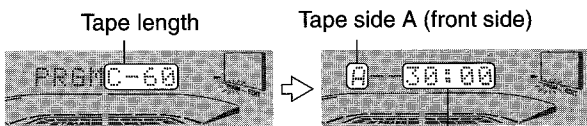


If "A" is displayed, press CD EDIT/CHECK while pressing SHIFT again.

4 Press numbered buttons 0-9 on the remote control to designate the tape length.

10 to 99 minutes can be specified.

• ◀, ▶ or MULTI JOG are also available to designate the tape length.

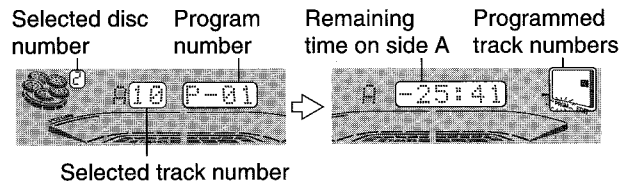


Maximum recording time for side A

5 Press one of DISC DIRECT PLAY 1-5 to select a disc. Then, press numbered buttons 0-9 and +10 on the remote control to program a track.

To select disc 4 or 5, press DISC DIRECT PLAY 4 or 5 while pressing SHIFT.

Example: To select the 10th track of disc 2, press DISC DIRECT PLAY 2, then +10 and 0.



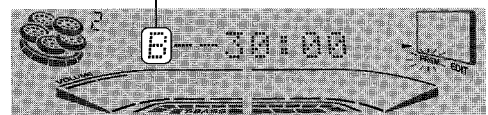
6 Repeat step 5 for the rest of the tracks for side A.

A track whose playing time is longer than the remaining time cannot be programmed.

7 Press CD EDIT/CHECK while pressing SHIFT on the remote control to select side B and program the tracks for side B.

After confirming B on the display, repeat step 5.

Tape side B (reverse side)



8 Press CD EDIT/CHECK while pressing SHIFT on the remote control to select side A and press ● REC/REC MUTE to start recording.

The tape is rewound to the beginning of the front side, the lead segment is played through for 10 seconds, and recording starts. When the last track programmed for side A is finished, deck 2 enters the recording stop mode. After entering the recording stop mode, go to step 9.

9 Press CD EDIT/CHECK while pressing SHIFT on the remote control for recording of the second side.

"B" is displayed.

10 Turn over the tape in Deck 2 and press ● REC/REC MUTE to start recording.

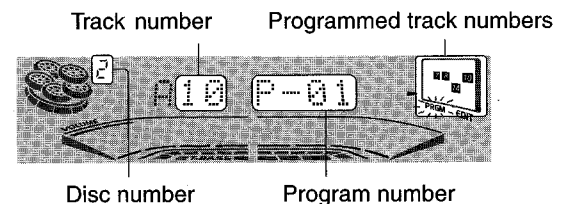
Recording starts.

To stop recording

Press ■. Recording and CD play stop simultaneously.

To check the order of the programmed track numbers

Before recording, press CD EDIT/CHECK while pressing SHIFT on the remote control to select side A or B, and press ◀ or ▶ repeatedly.



To change the program of each side

Press CD EDIT/CHECK while pressing SHIFT on the remote control to select side A or B, and press ■ CLEAR to clear the program on the selected side. Then program tracks again.

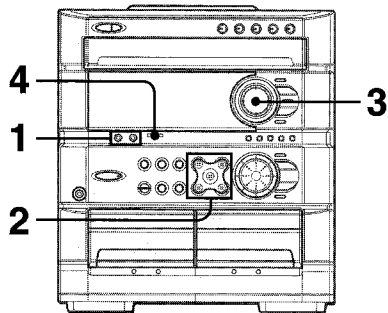
To clear the edit program

Press ■ CLEAR twice in stop mode so that "EDIT" disappears on the display.

NOTE

- Recording is inhibited if the erasure prevention tab on either side of the tape facing out from the unit is broken off.
- Up to 30 tracks can be programmed from any of the inserted discs.
- "FULL" is displayed if you attempt to program more than 30 tracks.

MICROPHONE MIXING

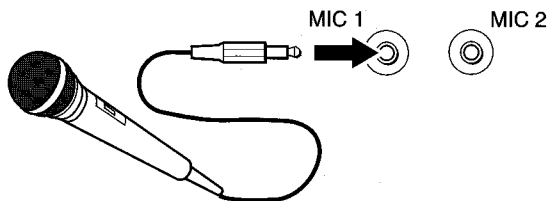


Two microphones (not supplied) can be connected to this unit, allowing you to sing along to music sources. Use microphones with standard plugs ($\varnothing 6.3$ mm, $1/4$ inch).

Before connecting a microphone

Set **MIC MIXING** to MIN.

1 Connect your microphones to MIC 1 and MIC 2 jacks.



2 Press one of the function buttons to select the source to be mixed, and play the source.

3 Adjust the volume and tone of the source.

4 Adjust the microphone volume with MIC MIXING.

The volume of both microphones is adjusted simultaneously.

To record microphone sound mixed with source sound

Follow the procedure for recording from the sound source (see page 11).

SYNC DUB cannot be used for mixing recording.

When the microphones are not in use

Set **MIC MIXING** to MIN and remove the microphones from **MIC** jacks

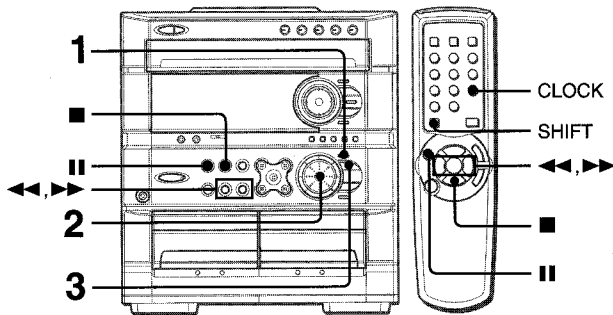
NOTE

- If a microphone is held too near the speakers, a howling sound may be produced. In this case, hold the microphone away from the speakers, or decrease the microphone volume.
- If sound through the microphone is extremely loud, it may be distorted. In this case, decrease the microphone volume.

Recommended microphones

Use of unidirectional type microphones is recommended to prevent howling. Contact your local Aiwa dealer for details.

SETTING THE CLOCK



When the clock is set, the “.” between the hours and minutes flashes. When the power cord is plugged into an AC outlet for the first time after purchase or when the clock setting is canceled due to a power failure, the entire clock display flashes.

1 Press **CLOCK**.

When using the remote control, press **CLOCK** while pressing **SHIFT**.

“AM 12.00” will be displayed.

2 Within 4 seconds, turn **MULTI JOG** to designate the hour and the minute.

Turning **MULTI JOG** changes both the hour and the minute. ◀◀ or ▶▶ is also available instead of **MULTI JOG**. Holding these buttons down will vary the time rapidly.

3 Press **ENTER** or **||**.

The clock starts from 00 seconds.

To view the clock when another display is in the display

Press **CLOCK**. The time is displayed for 4 seconds and then the original display reappears. However, the clock cannot be displayed during recording.

To switch to the 24-hour standard

Press **CLOCK** and then press ■ within 4 seconds. Repeat the same procedure to restore the 12-hour standard.

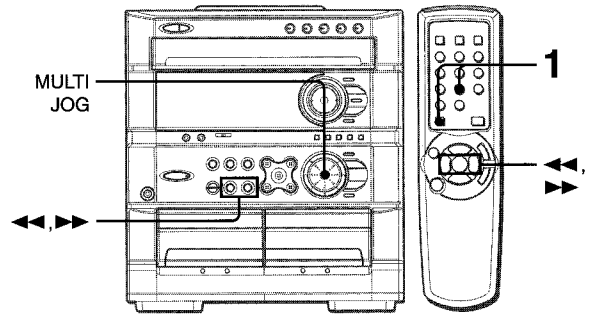
If the clock display flashes

If the display flashes when the clock is displayed, it indicates that the clock has stopped due to a power failure or the removal of the power cord. The current time needs to be reset.

NOTE

If the power-economizing mode (page 6) is on, all the display lights turn off when the power is turned off. To view the clock, press **CLOCK** so that the time is displayed for 4 seconds.

SETTING THE SLEEP TIMER



The unit can be turned off automatically at a specified time.

1 Press **SLEEP** while pressing **SHIFT** on the remote control.

“SLEEP” appears on the display.

2 Within 4 seconds, turn **MULTI JOG** or press ◀◀ or ▶▶ to specify the time until the power is turned off.

The time changes between 5 to 240 minutes in 5-minute steps.

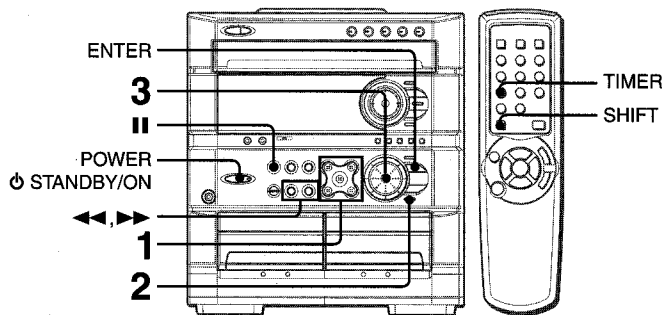
To check the time remaining until the power turns off

Press **SLEEP** once while pressing **SHIFT**. The remaining time is displayed for 4 seconds.

To cancel the sleep timer

Press **SLEEP** twice while pressing **SHIFT** so that “SLEEPoFF” appears on the display.

SETTING THE TIMER



The unit can be turned on at a specified time every day with the built-in timer.

Preparation

Make sure the clock is set correctly.

1 Press one of the function buttons to select a source.

2 Press TIMER to display ☉ and “▶ PLAY”.

When using the remote control, press **TIMER** while pressing **SHIFT**.

Time and audio source name flash alternately.

3 Within 6 seconds, turn MULTI JOG to designate the timer-on time, then press ENTER or II.

Turning **MULTI JOG** changes both the hour and the minute.

- ◀◀ or ▶▶ is also available instead of **MULTI JOG**. Holding these buttons down will vary the time rapidly.

4 Within 4 seconds, turn MULTI JOG to select the duration for the timer-activated period.

The duration can be set between 5 and 240 minutes in 5-minute steps.

- ◀◀ or ▶▶ is also available instead of **MULTI JOG**.

The duration will be automatically set after 4 seconds. It will also be set if **ENTER** or **II** is pressed within 4 seconds after step 4.

5 Adjust the volume.

The source sound will play at the volume level set in this step when the power is turned on by the timer.

If the volume level is set to 17 or higher, however, it will automatically be set to 16 when the power is turned on.

6 Prepare the source.

To listen to a CD, load the disc to be played first on tray 1.

To listen to a tape, insert the tape into Deck 1 or 2.

To listen to the radio, tune in to a station.

7 Press POWER ⏻ STANDBY/ON to turn off the power.

☉ remains on the display after the power is turned off (timer standby mode), if the power-economizing mode is OFF.

When the timer-on time is reached, the unit turns on and begins play with the selected source.

NOTE

- You can change the source that was selected in step 1 by pressing one of the function buttons before pressing **ENTER** or **II** in step 3.
- If the power-economizing mode is ON, ☉ is not displayed in the timer standby mode.

To check the timer setting

Press **TIMER**.

The selected source, the timer-on time, and the duration for the timer-activated period will be displayed for 6 seconds.

To change any of the previous setting

Carry out from step 1.

However, if you do not change the timer-on time, in step 3 just press **ENTER** twice and continue from step 4.

To cancel the timer standby mode temporarily

Press **TIMER** repeatedly until ☉ disappears and “▶ OFF” is displayed.

To restore the timer standby mode, press **TIMER** once or twice to display ☉ or ▶.

Using the unit while the timer is set

You can use the unit normally after setting the timer.

Before turning off the power, carry out step 5 and 6.

NOTE

- Timer playback and timer recording will not begin unless the power is turned off.
- Connected equipment cannot be turned on and off by the built-in timer of this unit. Use an external timer.

TIMER RECORDING

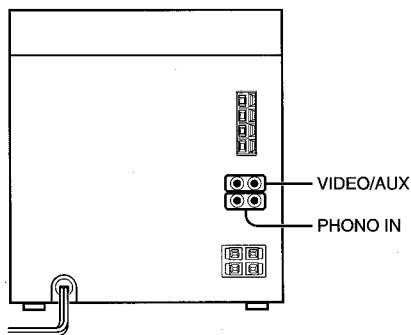
Timer recording is applicable for TUNER and VIDEO/AUX (with an external timer) sources only.

Press either **TUNER/BAND** or **VIDEO/AUX** to select a source, then press **TIMER** repeatedly until 📺 appears on the display. Within 6 seconds, carry out the steps of “SETTING THE TIMER” from step 3 and insert the tape to be recorded on into deck 2 after step 6.

NOTE

- When the power-economizing mode (page 6) has been turned on, the timer recording volume level will be 0 (minimum level).
- You cannot use the timer function to record from a CD or tape.

CONNECTING OPTIONAL EQUIPMENT



Refer to the operating instructions of the connected equipment for details.

- The connecting cords are not supplied. Obtain the necessary connecting cords.
- Consult your local Aiwa dealer for optional equipment.

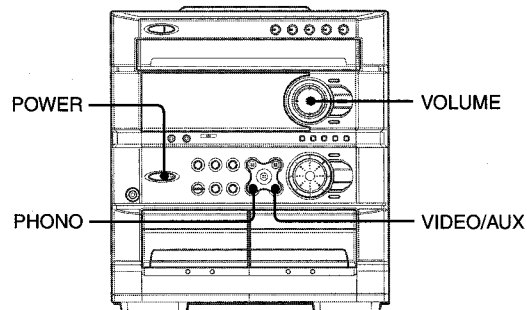
VIDEO/AUX JACKS

This unit can input analog sound signals through these jacks. Use a cable with RCA phono plugs to connect audio equipment (LD player, MD player, VCR, TV, etc.). Connect the red plug to **VIDEO/AUX R** jack, and the white plug to **VIDEO/AUX L** jack.

PHONO IN JACKS

Connect a turntable. Use the AIWA turntable equipped with a built-in equalizer amplifier.

LISTENING TO EXTERNAL SOURCES



To play equipment connected to the **VIDEO/AUX** or **PHONO IN** jacks, proceed as follows.

1 Press **VIDEO/AUX** or **PHONO**.

"VIDEO" or "PHONO" appears on the display.

2 Play the connected equipment.

To change a source name on the display

When **VIDEO/AUX** is pressed, "VIDEO" is displayed initially. It can be changed to "AUX" or "TV".

With the power on, press **POWER** while pressing **VIDEO/AUX**. Repeat the procedure to select one of the names.

NOTE

- During recording, the sound level cannot be adjusted.

CARE AND MAINTENANCE

Occasional care and maintenance of the unit and the software are needed to optimize the performance of your unit.

To clean the cabinet

Use a soft dry cloth.

If the surfaces are extremely dirty, use a soft cloth lightly moistened with mild detergent solution. Do not use strong solvents, such as alcohol, benzine or thinner as these could damage the finish of the unit.

To clean the tape heads

When the tape heads are dirty;

- high frequency sound is not emitted
- the sound is not adequately high
- the sound is off-balance
- the tape cannot be erased
- the tape cannot be recorded on

After every 10 hours of use, clean the tape heads with a head cleaning cassette.

Refer to the instructions of the cleaning cassette for details.

To demagnetize the tape heads

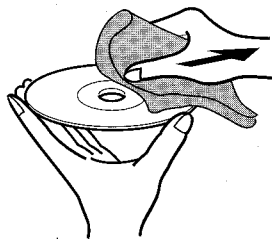
The tape heads may become magnetized after long-term use. This may narrow the output range of recorded tapes and increase noise.

After every 20 to 30 hours of use, demagnetize the tape heads with a separately sold demagnetizing cassette.

Refer to the instructions of the demagnetizing cassette for details.

Care of discs

- When a disc becomes dirty, wipe the disc from the center out with a cleaning cloth.



- After playing a disc, store the disc in its case. Do not leave the disc in places that are hot or humid.

Care of tapes

- Store tapes in their cases after use.
- Do not leave tapes near magnets, motors, television sets, or any source of magnetism. This will downgrade the sound quality and cause noise.
- Do not expose tapes to direct sunlight, or leave them in a car parked in direct sunlight.

TROUBLESHOOTING GUIDE

If the unit fails to perform as described in these Operating Instructions, check the following guide.

GENERAL

There is no sound.

- Is the AC cord connected properly?
- Is there a bad connection? (→ page 4)
- There may be a short circuit in the speaker terminals.
 - Disconnect the AC cord, then correct the speaker connections.
- Was an incorrect function button pressed?

Sound is emitted from one speaker only.

- Is the other speaker disconnected?

An erroneous display or a malfunction occurs.

- Reset the unit as stated below.

The unit blacks out when the power is turned off.

- Is the power economizing mode set to "ECO ON" or "ECO AUTO"? (→ page 6)

The power is not turned on

- Disconnect the AC cord, and connect it again in a few seconds.

TUNER SECTION

There is constant, wave-like static.

- Is the antenna connected properly? (→ page 4)
- Is the signal weak?
 - Connect an outdoor antenna.

The reception contains noise interferences or the sound is distorted.

- Is the system picking up external noise or multipath distortion?
 - Change the orientation of the antenna.
 - Move the unit away from other electrical appliances.

CASSETTE DECK SECTION

The tape does not run.

- Is deck 2 in pause mode? (→ page 9)

The sound is off-balance or not adequately high.

- Is the playback head dirty? (→ page 19)

Recording is not possible.

- Is the erasure prevention tab on the tape broken off? (→ page 12)
- Is the recording head dirty? (→ page 19)

Erasure is not possible.

- Is the erasure head dirty? (→ page 19)
- Is a metal tape being used?

High frequency sound is not emitted.

- Is the playback head dirty? (→ page 19)

CD PLAYER SECTION

The CD player does not play.

- Is the disc correctly placed? (→ page 10)
- Is the disc dirty? (→ page 19)
- Is the lens affected by condensation?
 - Wait approximately one hour and try again.

To reset

If an unusual condition occurs in the display window or the cassette decks, reset the unit as follows.

- 1 Press **POWER** to turn off the power.
- 2 Press **POWER** to turn the power back on while pressing **■ CLEAR**. Everything stored in memory after purchase is canceled.

If the power cannot be turned off in step 1 because of a malfunction, reset by disconnecting the AC cord, and connect it again. Then carry out step 2.

SPECIFICATIONS

Main unit CX-ZL720

FM tuner section

Tuning range	87.5 MHz to 108 MHz
Usable sensitivity (IHF)	13.2 dBf
Antenna terminals	75 ohms (unbalanced)

AM tuner section

Tuning range	530 kHz to 1710 kHz (10 kHz step) 531 kHz to 1602 kHz (9 kHz step)
---------------------	---

Usable sensitivity

Antenna	350 μ V/m Loop antenna
----------------	-------------------------------

Amplifier section

Power output	Rated: 160 W + 160 W (6 ohms, T.H.D. 1%, 1 kHz) Reference: 200 W + 200 W (6 ohms, T.H.D. 10%, 1 kHz)
---------------------	---

Total harmonic distortion

Inputs	0.15 % (100 W, 1 kHz, 6 ohms)
---------------	-------------------------------

Outputs

VIDEO/AUX: 500 mV
PHONO: 400 mV (47 kohms)
SPEAKERS: accept speakers of 6 ohms or more
PHONES (stereo jack): accepts headphones of 32 ohms or more

Cassette deck section

Track format	4 tracks, 2 channels stereo
Frequency response	50 Hz – 12500 Hz
Recording system	AC bias
Heads	Deck 1: Playback head \times 1 Deck 2: Recording/playback head \times 1, erase head \times 1

Compact disc player section

Laser	Semiconductor laser ($\lambda = 780$ nm)
D-A converter	1 bit dual
Signal-to-noise ratio	85 dB (1 kHz, 0 dB)
Harmonic distortion	0.05 % (1 kHz, 0 dB)
Wow and flutter	Unmeasurable

General

Power requirements	120 V AC, 60 Hz
Power consumption	150 W
Dimensions of main unit (W \times H \times D)	360 \times 395.3 \times 385.5 mm (14 ¹ / ₄ \times 15 ⁵ / ₈ \times 15 ¹ / ₄ in.)
Weight of main unit	11.5 kg (25 lbs. 6 oz.)

Speaker system SX-WZL720

Cabinet type	3 way, built-in subwoofer
Speakers	Subwoofer: 160 mm (6 ³ / ₈ in.) cone type \times 2 Mid range: 140 mm (5 ⁵ / ₈ in.) cone type Tweeter: 60 mm (2 ³ / ₈ in.) ceramic type
Impedance	6 ohms
Output sound pressure level	89 dB/W/m
Dimensions (W \times H \times D)	275 \times 495 \times 297 mm (10 ⁷ / ₈ \times 19 ¹ / ₂ \times 11 ³ / ₄ in.)
Weight	6.5 kg (14 lbs. 5 oz.)

Specifications and external appearance are subject to change without notice.

COPYRIGHT

Please check the laws on copyright relating to recordings from discs, radio or external tape for the country in which the machine is being used.

NOTE

This equipment has been tested and found to comply with the limits for a Class B digital device, pursuant to Part 15 of the FCC Rules. These limits are designed to provide reasonable protection against harmful interference in a residential installation.

This equipment generates, uses, and can radiate radio frequency energy and, if not installed and used in accordance with the instructions, may cause harmful interference to radio communications. However, there is no guarantee that interference will not occur in a particular installation. If this equipment does cause harmful interference to radio or television reception, which can be determined by turning the equipment off and on, the user is encouraged to try to correct the interference by one or more of the following measures:

- Reorient or relocate the receiving antenna.
- Increase the separation between the equipment and receiver.
- Connect the equipment into an outlet on circuit different from that to which the receiver is connected.
- Consult the dealer or an experienced radio/TV technician for help.

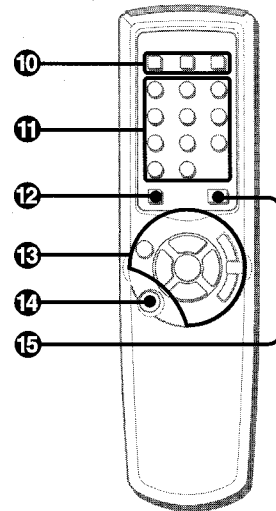
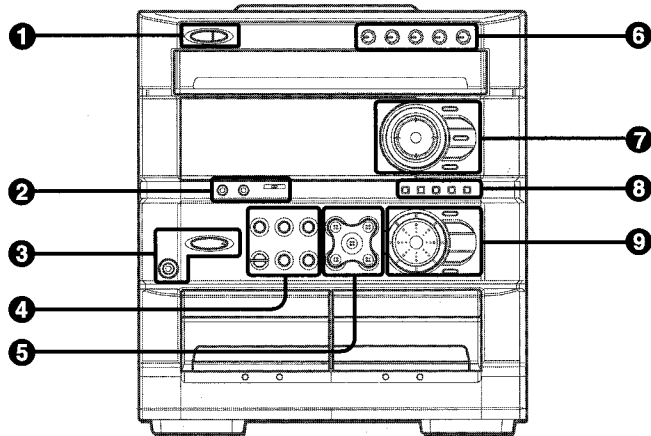
CAUTION

Modifications or adjustments to this product, which are not expressly approved by the manufacturer, may void the user's right or authority to operate this product.

PARTS INDEX

INDICE DE LAS PARTES

NOMENCLATURE



Name/Nombre/Nom **Page/Página/Page**

① ▲ OPEN/CLOSE	10
DISC CHANGE	10
② MIC MIXING	15
MIC 1/2	15
③ POWER ⏻ STANDBY/ON	5,6,17-19
PHONES	7
④ ■■ SET	9-12,16,17
■ CLEAR	6,9-14,16,19
▶ PRESET	6,9-11
▶▶/▶▶▶ UP	6,8-11,13,14,16,17
◀◀/◀◀◀ DOWN	6,8-11,13,14,16,17
SYNCHRO DUBBING	12
● REC/REC MUTE	11-14
⑤ ▲ TAPE/DECK 1/2	5,9,12
TUNER/BAND	5,8,9,11,17
CD	5,10,11,13,14
VIDEO/AUX	5,6,11,17,18
PHONO	5,6,11,18
⑥ DISC DIRECT PLAY 1-5	10,11,13,14
⑦ VOLUME	7
T-BASS	7
ECO	6
DEMO	6
⑧ ROCK	7
POP	7
LATIN	7
JAZZ	7
CLASSIC	7
⑨ CLOCK	16
ENTER	5,6,16,17
MULTI JOG	5,6,8-10,13,14,16,17
TUNER PRESET	8,9
TIMER	17


Name/Nombre/Nom **Page/Página/Page**

⑩ DISC DIRECT PLAY 1-5	10,11,13,14
⑪ 0-9,+10	9-11,13-14
1/CD EDIT/CHECK	10,13,14
2/PRGM	11
3/RANDOM/REPEAT	10
4/GEQ	7
6/T-BASS	7
7/TIMER	17
8/SLEEP	16
9/CLOCK	16
0/MONO TUNER	8
+10/BAND	8,9
⑫ SHIFT	5
⑬ ◀◀/◀◀◀ DOWN	6,8-11,13,14,16,17
▶▶/▶▶▶ UP	6,8-11,13,14,16,17
■■ SET	9-12,16,17
■ CLEAR	6,9-14,16,19
▶ PRESET	6,9-11
VOL(∇,∧)	7
⑭ POWER	5,17
⑮ FUNCTION	5

For assistance and information

call toll free 1-800-BUY-AIWA (United States and Puerto Rico)

AIWA CO.,LTD.

 <http://www.aiwa.co.jp>